

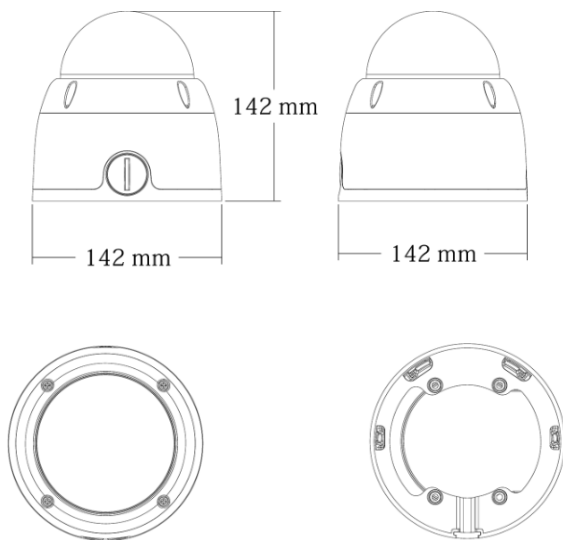


## Features

### 5MP Outdoor Varifocal Dome IP IR 30m

- 1/2.5" High-resolution CMOS Sensor
- H.264/H.264+/H.265/H.265+ Compression Method
- 2.8-12mm Varifocal Lens
- IR Distance 30m Max.
- IP67 Outdoor Metal Case

## Dimensions



## Specifications

Image Sensor	1/2.5" High-resolution CMOS Sensor
Resolution	5MP
Effective Pixels	2608(H)*1952(V)
Compression	H.264/H.264+/H.265/H.265+/JPEG/AVI /MJPEG
TV System	PAL/NTSC
Electronic Shutter Time	Auto: PAL 1/25-1/10000Sec; NTSC 1/25-1/10000Sec
Minimum Illumination	0.01Lux
S/N Ratio	≥52dB
Scanning System	Progressive
Video Output	Network
Reset Button	Optional
<b>Lens</b>	
Focus Length	2.8-12mm
Focus Control	Manual
Lens Type	Varifocal
Pixels	5MP
<b>Night Vision</b>	
Infrared LED	42μ x 4PCS
Infrared Distance	30M
IR Status	Auto Control
IR Power On	Auto Control
<b>Network</b>	
Ethernet	RJ-45 (10/100Base-T)
Protocol	TCP/IP,ICMP,HTTP,HTTPS,FTP,DHCP,DNS,DDNS,RTP,RTSP,RTCP,NTP,SMTP
ONVIF	Support ONVIF 2.4
P2P	YES, Support QR Code
POE	Optional/Internal, Support IEEE 802.3af
Video Delay	0.3S (Within the Lan)
Main Stream 1	2592*1944@20fp 2560*1920@20fp
Main Stream 2	2560*1440@25fp
Main Stream 3	1920*1080@30fps 1280*720@30fps
Sub Stream 1	720*480@15fps 720*480@30fps
IE Brower	IE8-11, Google Chrome (lower than Ver44), Firefox (lower than Ver53), Mac Safari(lower than version 12)
Smart Phone	iPhone, iPad, Android, Android Pad
<b>Camera Features</b>	
Day/Night	Color/ B&W (IR-CUT )
Image Config	Saturation/Brightness/Contrast /Sharpness, Mirror, 3D NR , White Balance, FLK(Flicker Control)
Corridor Pattern	Support
BLC	Support
WDR	DWDR: 50dB
Motion Detection	Support
Privacy Masking	3 Rectangular Zone
Recording Mode	NVR/CMS/Web
Language	Chinese Simplified, Chinese Traditional, English, Bulgarian, Polish, Farsi, German, Russian, French, Korean, Portuguese, Japanese, Turkish, Spanish, Hebrew, Italian ,Nederlands,Czech, Vietnamese
<b>Interface</b>	
Audio	Optional
SD Card Slot	Optional, Support Max 512GB
RS485	/
<b>General</b>	
Housing	Metal ,IP67
Anti-cut Bracket	Optional
IR Cut Filter	YES
Operation Temperature	-20°C ~ +60°C RH95% Max
Storage Temperature	-20°C ~ +60°C RH95% Max
Power Source	DC12V±10%, 950mA
Dimension	φ142 x 142(H)mm
Weight	1200g