

Box Type, H.264, 2.0MP:30fps, ONVIF, TDN ICR, DC/AC/POE, SDHC Card, Audio in/out

## EZIC-IGA20 (2MP)

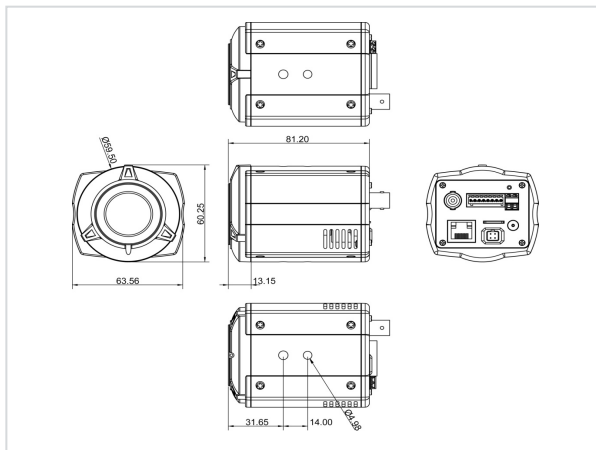


### Features

- H.264 & MJPE G HD Network Camera
- Dual Steam
- 2MP (1080P) @ 30FPS
- Triple Power. DC12V, 24VAC, PoE
- Analog Hybrid Output
- SDHC card slot
- Motion Triggered Alarm
- Multi Language GUI support
- True Day & Night
- ONVIF Compliant
- 2D/3D DNR
- BNC output

### Dimensions

(unit:mm)



MODEL	EZIC-IGA20
<b>CAMERA</b>	
Image Sensor	1/2.8" Sony IMX-036 CMOS Sensor
Max. Resolution	1920 x 1080
Effective Pixels	2096(H) x 1561(V)
Effective Image Size	5.24mm(H) x 3.90mm(V), 6.53mm(Diagonal)
White Balance	ATW / MANUAL(PRESET)
Electronic Zoom	2 ~ 10x(Client Software)
AGC	Yes
BLC	Yes
Iris	Motorized Iris / MANUAL / AES
Shutter Speed	1/4, 1/10, 1/12.5, 1/15, 1/20, 1/25, 1/30, 1/50, 1/60, 1/100, 1/120, 1/240, 1/480, 1/960, 1/1024, 1/2000 s(TBD)
Slow Shutter	2X(TBD)
Lens Mount	CS/C(with Adaptor)
Day & Night	Removable IR Cut Filter
S/N ratio	50 dB or more(TBD)
Min. illumination	Color: 0.7 lux(F1.2, 30IRE) - TBD B/W: 0.08 lux(F1.2, Slow Shutter ON, 30IRE) -TBD
<b>ANALOG (Installation Only)</b>	
Video Signal	NTSC/PAL selectable
Monitor Output	Composite Output(BNC), 75 ohm 1Vpp
Scanning Frequency	NTSC: (H) 15.734 kHz, (V) 59.94 Hz PAL: (H) 15.625 kHz, (V) 50 Hz
<b>NETWORK</b>	
Network	10BASE-T, 100BASE-TX, RJ45
Image Compression	H.264 : Main Profile MJPEG - Image quality: 5 Steps(Lowest, Low, Medium, High, Highest)
Resolution	1920 x 1080(Full HD), 1280 x 1024(SXGA), 1024 x 768(XGA), 1280 x 720(720p) 640 x 480(VGA), 320 x 240(QVGA) 704 x 480/576(4CIF), 352 x 240/288(CIF)
Protocol	IPv4/6, HTTP, HTTPS, SMTP, UPnP, DNS, DynamicDNS, NTP, RTSP, RTP, TCP, UDP, IGMP, RTCP, ICMP, DHCP, ARP
Frame Rate	1 fps ~ 25 fps / 1 fps ~ 30 fps(TBD)
Web Browser	Internet Explorer 7.0 or above, Firefox, Chrome, PDA/Smart phone
Security	Password Protection, HTTPS, IP Addressing Filtering(TBD)
SDK(API)	HTML based API
VMD(Video Motion Detection)	User set 4 ROI(Region Of Interest) / 10 Step Sensitivity
Alarm Trigger	VMD, External Alarm Input
Alarm Event	E-mail notification, FTP transfer, Video stream with alarm status, Post Alarm
<b>AUDIO</b>	
In/Out	Line in, Line out External Amplifier is needed
CODEC	G.711 / 8K sampling(TBD)
<b>POWER</b>	
Power Source	DC12V 1A / 24VAC(50Hz/60Hz) 500mA PoE(IEEE 802.3af compliant)
Power Consumption w/o Heater	378mA @ DC12V, Max 4.6W(TBD) 300mA @ AC24V, Max 4.4W(TBD) 100mA @ PoE, Max 4.7W(TBD)
<b>OTHER SPECIFICATIONS</b>	
Micro SD Card	SDHC card compatible SanDisk, Transcend, Kingstone, Toshiba: 1G, 2G, 4G, 8G, 16G or more
External I/O Terminals	Alarm In x1, Alarm Out x1, Audio In x1, Audio Out x1
Ambient Temperature	-10°C ~ 50°C(14°F~122°F)
Ambient Humidity	less than 90%, Non-condensing
Materials	Aluminum Diecasting
Weight	250g (Without Lens)
Dimensions(W x H x D)	63.6(W) x 60.3(H) x 81.2(D) mm

Made in Korea