

Indoor Dome, 18 IR (55FT), 2.0MP, H.264, ONVIF, 3.3~12mm Motorized Lens, TDN ICR, DC/AC/PoE

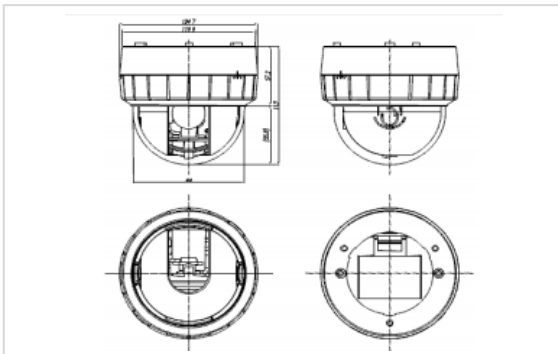
EZIC-IDRM20 (18 IR - 55ft) (2.0MP)



Features

- H.264 & MJPEG HD Network Camera
- Dual Stream
- 18 IR LEDs (55FT)
- 2MP (1080p) @ 30FPS
- Triple Power: 12VDC, 24VAC, PoE
- Analog Hybrid Output
- SDHC card slot
- Motion Triggered Alarm
- Multi Language GUI Support
- True Day & Night
- ONVIF Compliant
- 3.3~12mm Motorized Zoom
- 2D/3D DNR
- Audio In/Out

Dimensions



MODEL		EZIC-IDRM20	
Product Features		H.264 / MJPEG Network Camera	
		Dual Stream	
		Motion Triggered Alarm/ External Alarm In	
		Multi Language GUI support	
		ONVIF Compliant	
		Dual Power: 24VAC, PoE(802.3af)	
		SONY CMOS Sensor IMX-122	
		On The Fly supported @ GOP/Bitrate/FPS setting	
		2D/3D DNR. (Depends on CODEC configuration)	
		Contrast Enhancement (Local Exposure)	
		DPC(Defective Pixel Correction) on the fly	
		IR LED 18ea / 17M	
		Motorized Zoom, Focus and P-iris	
		True Day & Night	
Analog Hybrid Output(Installation Only)			
CAMERA	Image Sensor	1/2.8" Sony IMX-122 CMOS Sensor	
	Max. Resolution	1920 x 1080	
	Effective Pixels	1984(H) x 1225(V)	
	Effective Image Size	5.56mm(H) x 3.43mm(V), 6.53mm(Diagonal)	
	White Balance	ATW / MANUAL(PRESET)	
	Electronic Zoom	2 ~ 10x(Client Software)	
	AGC	Yes	
	BLC	Yes	
	Iris	Motorized Iris / MANUAL / AES	
	Shutter Speed	1/4, 1/10, 1/12.5, 1/15, 1/20, 1/25, 1/30, 1/50, 1/60, 1/100, 1/120, 1/240, 1/480, 1/960, 1/1920, 1/1024, 1/2000s	
	Slow Shutter	2x	
	Lens	TAMRON Motorized Zoom and Focus lens, f=3~9mm, F1.2~2.1	
	Day & Night	Removable IR Cut Filter	
ANALOG (Installation Only)	Video Signal	NTSC/PAL selectable	
	Monitor Output	Composite Output(BNC), 75 ohm 1Vpp	
	Scanning Frequency	NTSC: (H) 15.734 kHz, (V) 59.94 Hz PAL: (H) 15.625 kHz, (V) 50 Hz	
AUDIO	In/Out	Line in, Line out -- External Amplifier is needed	
	CODEC	G.711 / 8K sampling	
NETWORK	Network	10BASE-T, 100BASE-TX, RJ45	
	Image Compression	H.264 : Base/Main/High Profile MJPEG : Image quality: 100 Steps(Q value)	
	Resolution	1920 x 1080(Full HD), 1280 x 1024(SXGA), 1024x768(XGA), 1280 x 720(720p), 640 x 480(VGA), 320 x 240(QVGA), 704x480/576(4CIF), 352x240/288(CIF)	
	Protocol	IPV4, HTTP, UPnP, DNS, RTSP, DDNS, RTP, TCP, UDP, RTCP, DHCP, ARP, IGMP, ICMP, SMTP, NTP, HTTPS,IPV6 @ V2.0	
	Frame Rate	1 fps ~ 25 fps / 1 fps ~ 30 fps	
	Web Browser	Internet Explorer 7.0 or above Firefox Chrome PDA/Smart phone	
	Security	Password Protection, HTTPS @ V2.0	
	SDK(API)	HTML based API	
	VMD(Video Motion Detection)	User set 4 ROI(Region Of Interest) 10 Step Sensitivity	
	Alarm Trigger	VMD, External Alarm Input	
	Alarm Event	E-mail notification, FTP transfer, Video streaming with alarm status Pre Alarm @ V2.0	
	POWER	Power Source	DC12 1A
			24VAC(50Hz/60Hz) 500mA
			PoE(IEEE 802.3af/at compliant)
OTHER SPECIFICATIONS	External I/O Terminals	Alarm In x1, Alarm Out x1, Audio In x1, Audio Out x1	
	Ambient Temperature	0°C ~ 40°C(32°F~104°F)	
	Ambient Humidity	less than 90%, Non-condensing	
	Materials	Poly Carbonate 2(PC2)	

Made in Korea