

## 40 IR(100ft), Outdoor PTZ, 12xOptical, Weather-proof, 560TVL True Day&Night(ICR)

### EPTR-125

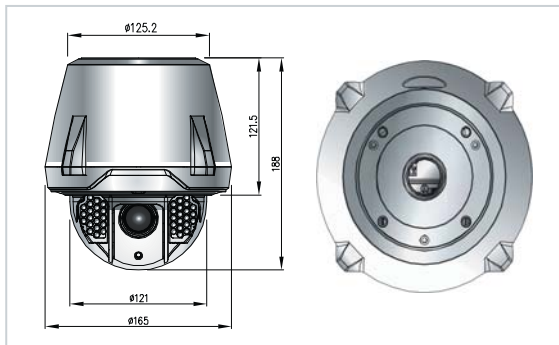


### Features

- 192X zoom(Optical 12X, Digital 16X)
- 560 TV Line:Color / 700TV Line: B/W
- Long visible range at night(100ft) with 40 IR LED
- Pan : 360°(Endless) , Tilt : -5°~185°
- Max 250°/sec pan preset speed
- True Day & Night with ICR
- 3D DNR, SSSDR
- Sense up(upto 512x)
- Warming up & Cooling
- Privacy zone masking(upto 8)
- Pan position auto compensation
- Weather-proof
- 24V AC / 12V DC compatible
- Mounts sold separately

### Dimensions

(unit:mm)



### Accessories



MODEL	EPTR-125
Image Sensor	1/4" COLOR SONY SUPER HAD CCD II
Synchronization	Internal / External(Line-lock) - Option
Scanning Frequency	Horizontal : 15,734KHz / Vertical : 59.94Hz
Video Output	1.0Vp-p(Sync. Negative), Termination 75Ω
Min. Illumination	0.0001 Lux(W/ Sense up),0 Lux(100ft range)-LED On
Resolution	560TV line(Color) / 680TV line(B/W)
<b>LENS</b>	
Zoom	Optical 12X, Digital 16X
Focal Length	f=3.94 ~ 46.05mm(F1.67~F1.88)
<b>OPERATION</b>	
Day & Night	ICR (Auto / Color / B/W)
LED	IR LED 40pcs (100 ft)
Sense Up	Off / On(2x~ 512x)
SSNR	Off / Low / Middle / High
Backlight	Off / BLC / HLC / WDR
Privacy Zone	8 zones
Pan / Tilt Angle	Pan:360°(Endless), Tilt:-5°~185°(Mechanical Auto Flip)
Pan / Tilt Speed	Preset : MAX. 250°/sec, Manual : 0.05~120°/sec
Preset	128 points
Pattern	4 patterns(210sec ~ 2 hours:depends on complexity)
Tour	8 tours
Auto Scan	CW/CCW/Custom mode
Position Compensation	Pan position auto compensation
Schedule	8 Schedule
Clock	Set/Off/On
Alarm Input	4 Port
Alarm Output	Open Collector(5VDC, 40mA) / Relay(2A 30VDC, 0.5A 125VAC)
Address (ID)	255
Remote Control	RS-485
Protocol	Auto, Pelco-D
Baudrate	2,400bps, 4,800bps, 9,600bps, 19,200bps
<b>ENVIRONMENTAL</b>	
Operating Temperature	-4 °F to 140 °F
Operating Humidity	-4 °F to 140 °F
Fan & Heater	N/A
<b>MECHANICAL</b>	
IR LEDs	40 IR LEDs
Dimensions	Φ165mm X 188(H)mm
Weight	Approx. 5.51lbs
<b>ELECTRICAL</b>	
Power Source	24V AC / 12V DC (±10%)
Power Consumption	24V AC / 18W, 1.5A or 12V DC, 2A

Made in Korea