



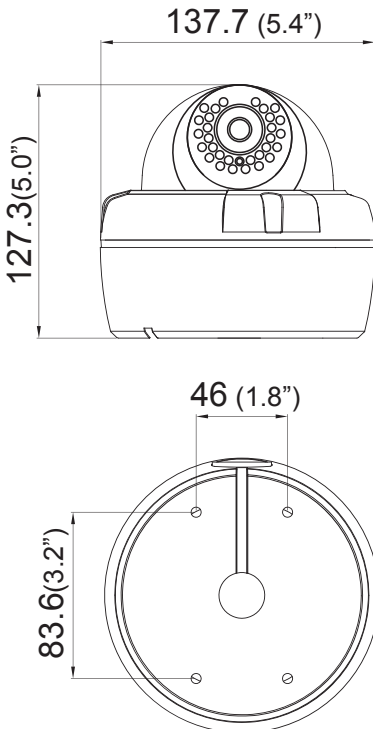
MegaVue Series

**2MP | 1080P | TRUE D&N  
ICR**

### Features

- MegaVue 2MP, 1080P, HD-SDI
- Built-in 2.8~ 12mm Megapixel lens
- 36 IR Leds
- ICR, DWDR, 3DNR, Sense-up, OSD
- Smoked Vandal proof Dome
- Waterproof(IP68)
- Dual Voltage (24V AC / 12V DC)

### Dimensions



### Specifications

MODEL	SCVR36-V5C
IMAGE SENSOR	1/2.9"2.1MEGA PIXEL SONY EXMOR CMOS
EFFECTIVE PIXEL	1936 (H) x 1097 (V)
SCANNING SYSTEM	PROGRESSIVE
VIDEO OUTPUT	1 x HD-SDI, 75Ω COMPOSITE
S/N (Y SIGNAL)	MORE THAN 50dB
Min. ILLUMINATION	0.02LUX (SENS-UP x30)
IRIS ADJUSTMENT	DC / MANUAL
LENS	2.8-12mm MEGAPIXEL LENS (ICR - Option)
ELECTRONIC SHUTTER	OFF/AUTO(1/30~1/50,000)FLK MANUAL(x2~x30)
OSD LANGUAGE	ENG, JPN, CHN1, CHN2, KOR, GER, FRA, ITA, SPA, POL, RUS, POR, NED, TUR, HEB, ARB
BACKLIGHT COMPENSATION	OFF / BLC / HSBLC
WHITE BALANCE	AWC->SET KEY / MANUAL- BLUE,RED(1~100) / INDOOR / OUTDOOR
DAY & NIGHT	Auto / EXT / B/W(IR SMART) / COLOR
PRIVACY MASKING	ON / OFF (PROGRAMMABLE 8 ZONES)
NOISE REDUCTION	2DNR/3DNR LEVEL(0~100) ADJUSTMENT / SMART NR
ACCE	OFF / LOW / MIDDLE / HIGH
DEFOG	LOW / MIDDLE / HIGH / OFF
DIGITAL ZOOM	OFF/ON (x2 ~ x62) / OFF
SENS-UP	OFF / x2~x30
MOTION DETECTION	3 AREA
DIGIAL EFFECT	OFF / V-FLIP / MIRROR / ROTATE
DEFECT	LIVE DPC (ON, OFF, AUTO)
COMMUNICATION	RS 485 (OPTION)
IR LED	36PCS
INPUT VOLTAGE	DC 12V(±10%) / AC 24V DUAL VOLTAGE (OPTION)
HEATER OPERATION SPECIFICATIONS	THE INTERNAL TEMPERATURE. OFF : 20° / ON : -20°
POWER CONSUMPTION	HEATER OFF DC IR OFF : 210mA (MAX) / DC IR ON : 430mA (MAX)
	HEATER ON DC IR OFF : 330mA (MAX) / DC IR ON : 560mA (MAX)
	HEATER OFF AC IR OFF : 200mA (MAX) / AC IR ON : 350mA (MAX)
	HEATER ON AC IR OFF : 310mA (MAX) / AC IR ON : 450mA (MAX)
OPERATING TEMP. / HUM.	-10 °C ~ +50 °C / MAX 90% RH
STORAGE TEMP. / HUM.	-20 °C ~ +60 °C / MAX 90% RH