



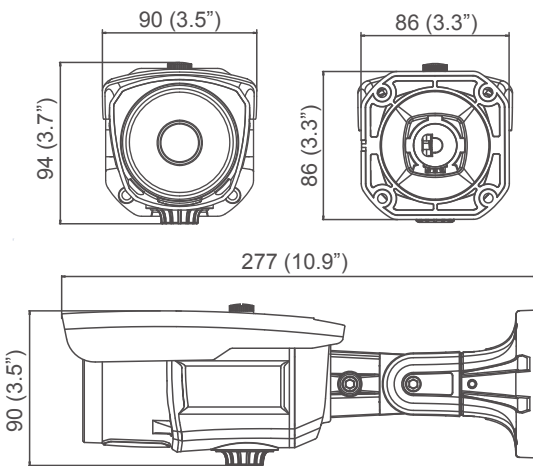
MegaVue Series

**2MP | 1080P | TRUE D&N  
ICR**

### Features

- MegaVue 2MP, 1080P, HD-SDI
- Built-in 2.8~ 12mm Megapixel lens
- 35 IR Leds +2 HSI (High Intensity Super IRs)
- ICR, DWDR, 3DNR, Sense-up, OSD
- Cable Through 3-Axis bracket
- Waterproof(IP68)
- Dual Voltage (24V AC / 12V DC)

### Dimensions



### Specifications

| MODEL                           | SCBRSP-V5C   |
|---------------------------------|--|
| IMAGE SENSOR                    | 1/2.9"2.1MEGA PIXEL SONY EXMOR CMOS  |
| EFFECTIVE PIXEL                 | 1936 (H) x 1097 (V)  |
| SCANNING SYSTEM                 | PROGRESSIVE  |
| VIDEO OUTPUT                    | 1 x HD-SDI, 75Ω COMPOSITE  |
| S/N (Y SIGNAL)                  | MORE THAN 50dB   |
| Min. ILLUMINATION               | 0.02LUX (SENS-UP x30)  |
| IRIS ADJUSTMENT                 | DC / MANUAL  |
| LENS                            | 2.8~12mm MEGAPIXEL LENS (ICR TYPE)   |
| ELECTRONIC SHUTTER              | OFF/AUTO(1/30~1/50,000)FLK MANUAL(x2~x30)  |
| OSD LANGUAGE                    | ENG, JPN, CHN1, CHN2, KOR, GER, FRA, ITA, SPA, POL, RUS, POR, NED, TUR, HEB, ARB |
| BACKLIGHT COMPENSATION          | OFF /BLC / HSBLC   |
| WHITE BALANCE                   | AWC→SET KEY / MANUAL- BLUE,RED(1~100) / INDOOR / OUTDOOR                         |
| DAY & NIGHT                     | AUTO / EXT / B/W(IR SMART) / COLOR   |
| PRIVACY MASKING                 | ON / OFF (PROGARAMMABLE 8 ZONES)   |
| NOISE REDUCTION                 | 2DNR/3DNR LEVEL(0~100) ADJUSTMENT / SMART NR                                     |
| ACCE                            | OFF / LOW / MIDDLE / HIGH  |
| DEFOG                           | LOW / MIDDLE / HIGH / OFF  |
| DIGITAL ZOOM                    | OFF/ON (x2 ~ x82) / OFF  |
| SENS-UP                         | OFF / x2~x30   |
| MOTION DETECTION                | 3 AREA   |
| DIGIAL EFFECT                   | OFF / V-FLIP / MIRROR / ROTATE   |
| DEFECT                          | LIVE DPC (ON, OFF, AUTO)   |
| COMMUNICATION                   | RS 485 (OPTION)  |
| IR LED                          | ULTRA x 2PCS & NORMAL x 35PCS  |
| INPUT VOLTAGE                   | DC 12V(±10%) / AC 24V DUAL VOLTAGE (OPTION)                                      |
| HEATER OPERATION SPECIFICATIONS | THE INTERNAL TEMPERATURE. OFF : 20° / ON : -20°                                  |
| POWER CONSUMPTION               | HEATER OFF DC IR OFF : 210mA(±10%) / IR ON : 650mA(±10%)                         |
|                                 | HEATER OFF AC IR OFF : 200mA(±10%) / IR ON : 790mA(±10%)                         |
|                                 | HEATER ON DC IR OFF : 310mA(±10%) / IR ON : 750mA(±10%)                          |
|                                 | HEATER ON AC IR OFF : 300mA(±10%) / IR ON : 890mA(±10%)                          |
| OPERATING TEMP. / HUM.          | -10°C ~ +50°C / MAX 90% RH   |
| STORAGE TEMP. / HUM.            | -20°C ~ +60°C / MAX 90% RH   |