



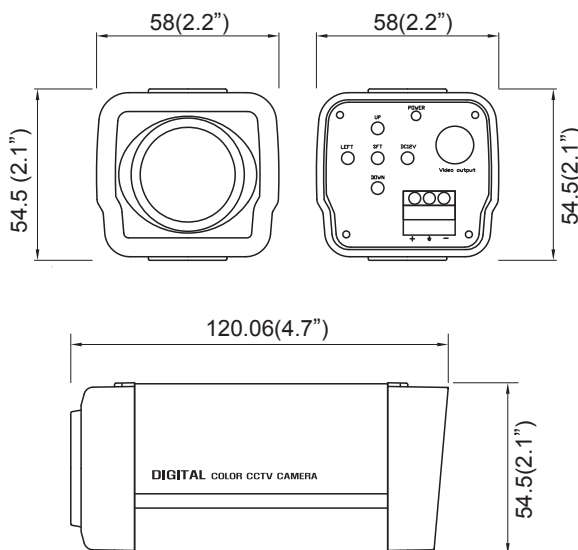
SuperVue Series

960H | 700TVL | TRUE WDR

Features

- SuperVue 960H Double Scan CCD
- Ultra High Resolution 700TVL
- True WDR
- ICR, 3DNR, Sense-up
- Built in OSD Controller & 2nd BNC Connector
- Dual Voltage (24V AC / 12V DC)

Dimensions



Specifications

MODEL	GKN-A455
IMAGE SENSOR	1/3" 960H SONY Double-Density Interline CCD
EFFECTIVE PIXEL	976(H) x 494(V)
SCANNING SYSTEM	2:1 Interlace
SYNCHRONIZATION	Internal
HORIZONTAL RESOLUTION	750TV Lines
VIDEO OUTPUT	CVBS : 1.0Vp-p, 75Ω composite
S/N (Y Signal)	52dB (AGC off, Weight on)
Min. ILLUMINATION	0.003Lux at F1.2(SENS-UP AUTO)
IRIS ADJUSTMENET	AUTO / MANUAL
SCENE SELECT	FULL AUTO / INDOOR / OUTDOOR / BACKLIGHT / ITS / CUSTOM
LENS	-
SHUTTER	(1/60~1/100,000)2FLD~256FLD
OSD LANGUAGE	ENG / SPA / RUS / POR / GEN / FRA / JAP
BACKLIGHT COMPENSATION	BLC / HLC / OFF
DAY & NIGHT	DAY / AUTO1 / AUTO2 / NIGHT
AUTO GAIN CONTROL	LEVEL Adjustment
WHITE BALANCE	ATW(1,800°K ~ 10,500°K)/PUHS/USER1,2/MANUAL/PUSH LOCK
WDR	LEVEL Adjustment
IR OPTIMIZER	LEVEL Adjustment
DIS	ON/OFF
PRIVACY MASKING	On / Off (Programmable 15 zones)
DNR	2DNR+3DNR(LEVEL Adjustment)
DEFOG	LEVEL Adjustment
DIGITAL ZOOM	OFF/ON (x1 ~ x256)
SENS-UP	AUTO
MOTION	4 Regional MD
DIGITAL EFFECT	OFF / V-FLIP / MIRROR / ROTATE
IR LED	-
INPUT VOLTAGE	DC 12V(±10%) / AC 24V(±10%)
POWER CONSUMPTION	DC 12V : 120mA(MAX) / AC 24V : 110mA(MAX)
OPERATING TEMP. / HUM.	-10°C ~ +50°C / MAX 90% RH
STORAGE TEMP. / HUM.	-20°C ~ +60°C / MAX 90% RH