



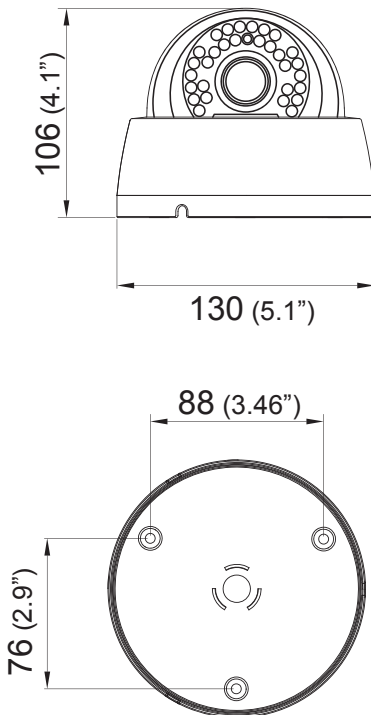
SuperVue Series

960H | 700TVL | True WDR

Features

- SuperVue 960H Double Scan CCD
- Ultra High Resolution 700TVL
- Built-in 2.8 ~ 12mm Varifocal lens with auto iris
- 30 IR Leds
- True WDR
- ICR, 3DNR, Sense-up, OSD
- 3-Axis camera mount
- Dual Voltage (24V AC / 12V DC)

Dimensions



Specifications

MODEL	DKR-V455
IMAGE SENSOR	1/3" 960H SONY Double-Density Interline CCD
EFFECTIVE PIXEL	976(H) x 494(V)
SCANNING SYSTEM	2:1 Interlace
SYNCHRONIZATION	Internal
HORIZONTAL RESOLUTION	750TV Lines
VIDEO OUTPUT	COMPOSITE (1.0Vp-p/75Ohm)
S/N (Y Signal)	52dB (AGC off, Weight on)
Min. ILLUMINATION	0.003Lux at F1.2(SENS-UP AUTO)
IRIS ADJUSTMENET	AUTO / MANUAL
SCENE SELECT	FULL AUTO / INDOOR / OUTDOOR / BACKLIGHT / ITS / CUSTOM
LENS	2.8~12mm DC Auto Iris Lens (ICR - Option)
SHUTTER	(1/60~1/100,000)2FLD~256FLD
OSD LANGUAGE	ENG /SPA /RUS /POR /GEN /FRA /JAP
BACKLIGHT COMPENSATION	OFF/ BLC / HSBLC
DAY & NIGHT	Day / AUTO1 / AUTO2 / Night
AUTO GAIN CONTROL	LEVEL Adjustment
WHITE BALANCE	ATW(1,800°K ~ 10,500°K)/PUHS/USER1,2/MANUAL/PUSH LOCK
WDR	LEVEL Adjustment
IR OPTIMIZER	LEVEL Adjustment
DIS	ON/OFF
PRIVACY MASKING	On / Off (Programmable 15 zones)
DNR	2DNR+3DNR(LEVEL Adjustment)
DEFOG	LEVEL Adjustment
DIGITAL ZOOM	OFF/ON (x1 ~ x256)
SENS-UP	AUTO
MOTION	4 Regional MD
DIGITAL EFFECT	OFF / V-FLIP / MIRROR / ROTATE
IR LED	30PCS
INPUT VOLTAGE	DC 12V(±10%) / AC 24V(±10%)
POWER CONSUMPTION	DC IR OFF : 130mA(±10%) / IR ON : 450mA(±10%) AC IR OFF : 120mA(±10%) / IR ON : 350mA(±10%)
OPERATING TEMP. / HUM.	-10°C ~ +50°C / MAX 90% RH
STORAGE TEMP. / HUM.	-20°C ~ +60°C / MAX 90% RH