



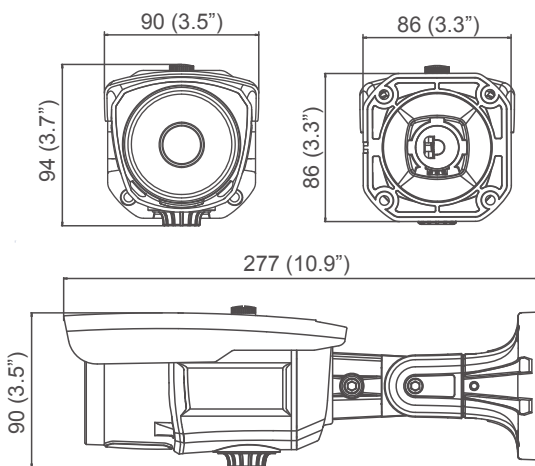
SuperVue Series

960H | 700TVL | TRUE D&N
ICR

Features

- SuperVue 960H CCD
- Ultra High Resolution 700TVL
- Built-in 6~ 50mm Varifocal lens with auto iris
- 35 IR Leds +2 HSI (High Intensity Super IRs)
- ICR, DWDR, 3DNR, Sense-up, OSD
- Cable Through 3-Axis bracket
- Dual Voltage (24V AC / 12V DC)

Dimensions



Specifications

MODEL	BKRSP-L355
IMAGESENSOR	1/3" 960H IT CCD
EFFECTIVE PIXEL	976(H) x 494(V)
SCANNING SYSTEM	2:1 INTERLACE
SYNCHRONIZATION	INTERNAL
HORIZONTAL RESOLUTION	700TV LINES
VIDEO OUTPUT	COMPOSITE (1.0Vp-p/75Ohm)
S/N (Y SIGNAL)	52dB (AGC OFF)
LENS	6~50mm Wide-Depth DC Auto Iris Lens (ICR)
ELECTRONIC SHUTTER	1/60 ~ 120,000sec
BACKLIGHT COMPENSATION	BLC / HSBLC / OFF
WHITE BALANCE	ATW / PUSH / USER1 / USER2 / ANTI CR / MANUAL / PUSH LOCK
DAY & NIGHT	COLOR / AUTO / B/W / EXT1 / EXT2
PRIVACY MASKING	ON/OFF (8 ZONES)
DNR	OFF / LOW / MIDDLE / HIGH
SMART IR	OFF / ON
SENS UP	OFF / x1 ~ x512
MOTION	OFF / ON (4 POINTS)
DEFECT DET	OFF / ON
IR LED	ULTRA x 2PCS & NORMAL x 35PCS
INPUT VOLTAGE	DC 12V(±10%) / AC 24V DUAL VOLTAGE
HEATER OPERATION SPECIFICATIONS	THE INTERNAL TEMPERATURE. OFF : 20° / ON : -20°
POWER CONSUMPTION	HEATER OFF DC IR OFF : 130mA(±10%) / IR ON : 580mA(±10%)
	HEATER OFF AC IR OFF : 120mA(±10%) / IR ON : 720mA(±10%)
	HEATER ON DC IR OFF : 230mA(±10%) / IR ON : 680mA(±10%)
	HEATER ON AC IR OFF : 220mA(±10%) / IR ON : 820mA(±10%)
OPERATING TEMP / HUM	-10℃ ~ +50℃ / MAX 90% RH
STORAGE TEMP/ HUM	-20℃ ~ +60℃ / MAX 90% RH