

LPR/ANPR Camera, 550TVL,9-22mm Auto Iris, 80PCs Special IR LED

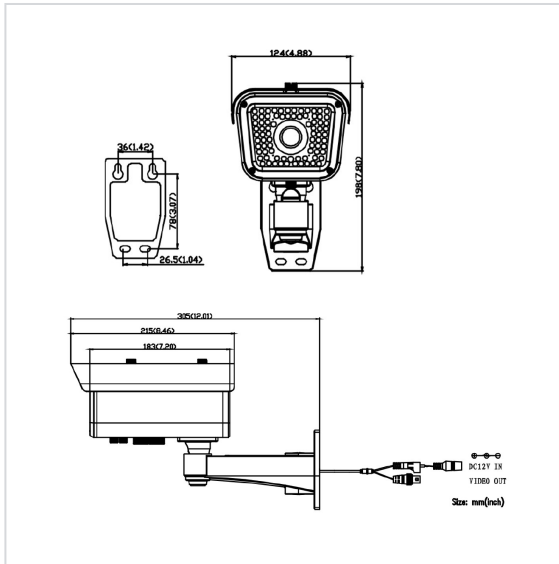
BAR80-M455



Features

- 550 TVL, 1/3" 760H CCD
- 9~22mm Vari-focal Auto Iris IR lens
- Constant current circuit design to make sure the lifespan of IR LED
- Viewing angle:14°~32°
- Available IR Distance:2~15M
- Designed for Toll Gate Parking Barrier
- Clearly capture the license plates of vehicles travelling less than 45km/h(28MPH)
- Patented Invention

Dimensions



Model	BAR80-M455
IP rating	IP66
Filter	Five Layers Filter
Image Sensor	1/3" 760H CCD
Pixels	NTSC:811(H)×508(V) PAL:795(H)×596(V)
Horizontal Resolution	550 TVL
IR LED	80PCs Special IR LED
Vertical frequency	NTSC:60Hz PAL:50Hz
Horizontal Frequency	NTSC:15.734KHz PAL:15.625KHz
Clock Frequency	NTSC:28.636MHz PAL:28.375MHz
Scanning System	2:1 Interlace
S / N Ratio	≥50dB
Electronic Shutter	NTSC:1/60-1/100,000s; PAL:1/50-1/100,000s
White Balance	ATW
Back Light Compensation	ON
Auto Gain Control	ON
Gamma	0.45
Video Output	1V p-p,75Ω
Lens	9-22mm Vari-focal Auto Iris IR Lens
Viewing Angle	Horizontal:14°~32°
Power Supply	DC12V ±10%
Current Consumption	200mA (Max)
Available IR Distance	2~15m (6.56~49.18ft) (Outdoor)
Dimension	305×198×124mm (12.01"×7.80"×4.88")
Weight	1750g
Storage Temperature	-30 ~ +60°C(-22 ~ +140°F)
Operating Temperature	-30 ~ +40°C(-22 ~ +104°F)
Package	6PCs/CTN 14.8KGs 520x370x575mm (20.47"×14.56"×22.63")
Remark: Non-regulative adaptor may cause camera damaged.	