

## LPR/ANPR Camera, 550TVL,10-40mm Auto Iris, 20 Hybrid IR LED

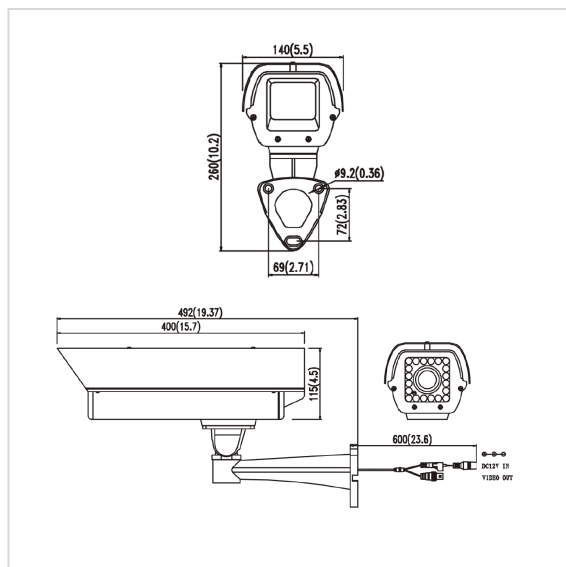
### BAR20H-L455



#### Features

- 550 TVL, 1/3" 760H CCD
- 10 ~ 40mm Vari-focal Auto Iris IR lens
- Constant current circuit design to make sure the lifespan of IR LED
- Viewing angle: 8° ~ 27°
- Available IR Distance: 5 ~ 30M
- Clearly capture the number plates of vehicles travelling less than 180km/h(112MPH)
- Patented Invention

#### Dimensions



Model	BAR20H-L455
IP rating	IP66
Filter	Five Layers Filter
Image Sensor	1/3" 760H CCD
Pixels	NTSC:811(H)×508(V) PAL:795(H)×596(V)
Horizontal Resolution	550 TVL
IR LED	20 PCs Super High Power LED
Vertical frequency	NTSC:60Hz PAL:50Hz
Horizontal Frequency	NTSC:15.734KHz PAL:15.625KHz
Clock Frequency	NTSC:28.636MHz PAL:28.375MHz
Scanning System	2:1 Interlace
S / N Ratio	≥50dB
Electronic Shutter	Fixed
White Balance	ATW
Back Light Compensation	ON
Auto Gain Control	ON
Gamma	0.45
Video Output	1V p-p,75Ω
Lens	10-40mm Vari-focal Auto Iris IR Lens
Viewing Angle	Horizontal:27° ~ 8°
Power Supply	DC12V ±10%
Current Consumption	1500mA (Max)
Available IR Distance	5 ~ 30M(16.39 ~ 98.36ft)
Dimension	492x260x140mm (19.37"×10.24"×5.51")
Weight	2520g
Storage Temperature	-30 ~ +60°C(-22 ~ +140°F)
Operating Temperature	-30 ~ +40°C(-22 ~ +104°F)
Package	4PCs/CTN 15.6KGs 485x580x425mm (19.09"×22.83"×16.73")
Remark: Non-regulative adaptor may cause camera damaged.	